



NMT12-Mk2 Thruster



Nuytco's second generation magnetically coupled 12 inch thruster improves on the excellent power and reliability of the first generation NMT12 by incorporating the drive right into the thruster housing. These units have been optimized, above all, for bollard efficiency – they produce outstanding thrust at any power setting.

A magnetically coupled prop shaft means that there are no dynamic seals and the housing is not oil filled. Should the thruster jam due to foreign object ingestion the coupling will slip, resulting in no electrical or mechanical damage.

The high torque motor eliminates the need for a transmission, further enhancing reliability and making the thruster extremely quiet. Low rotor inertia allows for nearly instantaneous windup, and dynamic braking allows for very quick reversal and precise stopping.

The **NMT12-Mk2** also monitors its supply voltage to maintain thrust output should its input voltage droop.

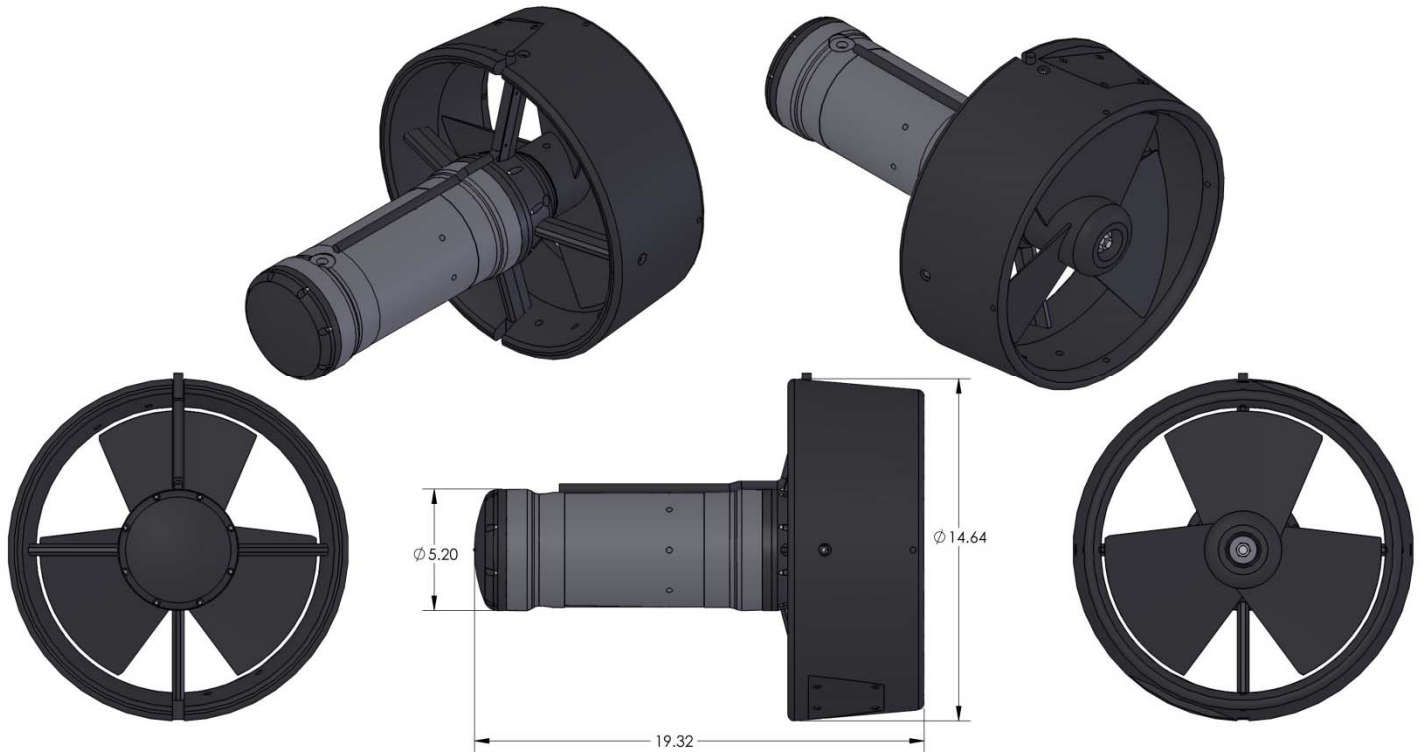
Nuytco Research Ltd

216 East Esplanade, North Vancouver
B.C. V7L 1A3 Canada

Phone: 604 980 6262
Email: nrl@nuytco.com
Web: www.nuytco.com



NMT12-Mk2 Thruster



Specifications:

Voltage Input: 200-400 VDC
Motor type: Brushless DC
Depth rating: 1000m
Air weight: 48 lbs.
Water weight: 27.5 lbs.
Control: +/- 10 VDC
Bulkhead: Impulse PNA-½"-RA-AL
Connector: Impulse MHDG5 –CCP
Standard cable length: 8 feet

Bollard Thrust:

Hp (input)	Kw (input)	Thrust (pounds)
1	.75	70
2	1.5	100
3	2.2	120
3.3	2.5	140

Nuytco Research Ltd

216 East Esplanade, North Vancouver
B.C. V7L 1A3 Canada

Phone: 604 980 6262
Email: nrl@nuytco.com
Web: www.nuytco.com